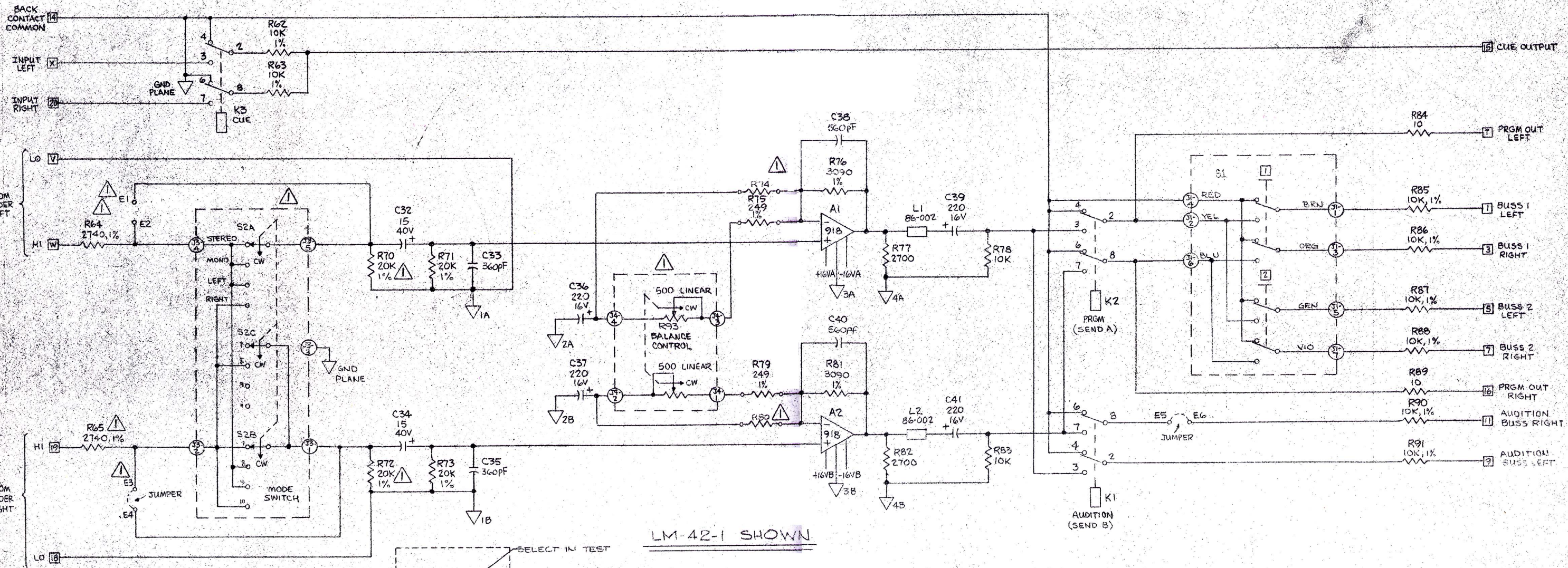


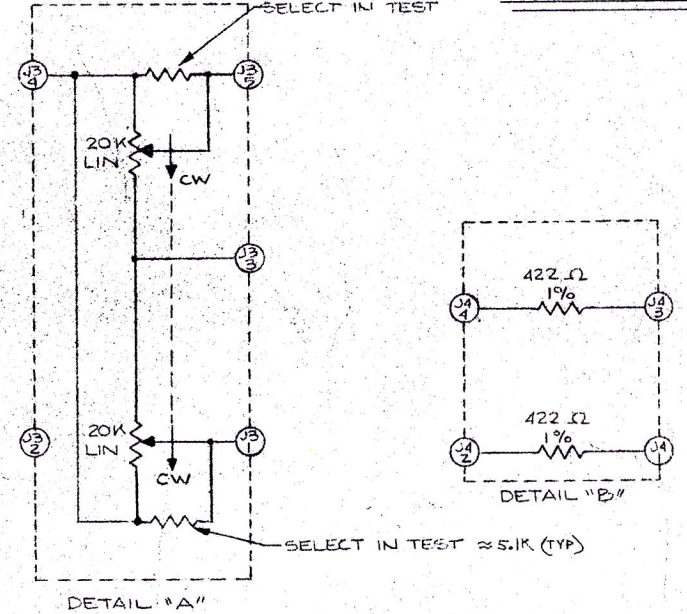
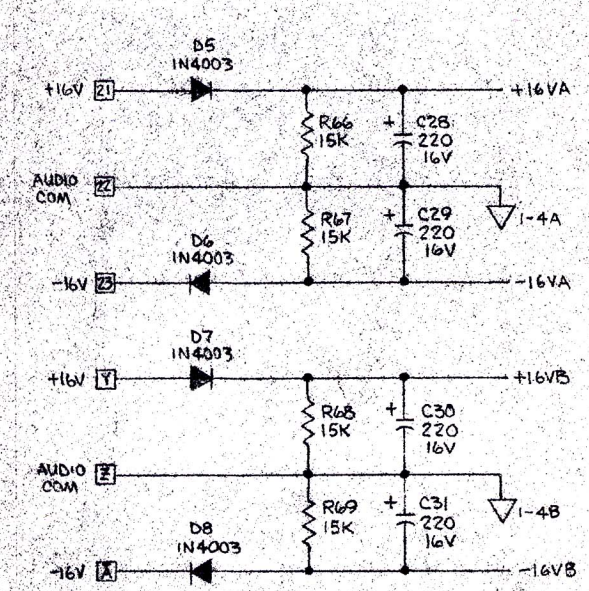
REVISIONS				
ZONE	LTR	DESCRIPTION	DATE	APPROVED



LM-42-1 SHOWN

TABLE

MODULE	E1 & E2	E3 & E4	R64	R65	R70	R72	R74	R80	J3	J4
LM-42	JUMPER	JUMPER	2740	2740	20K 1%	20K 1%	499	499	N/A	N/A
LM-42-1	N/A	N/A	2740	2740	20K 1%	20K 1%	N/A	N/A	AS SHOWN	AS SHOWN
LM-42-2	N/A	N/A	2740	2740	20K 1%	20K 1%	N/A	N/A	SEE DETL. A	SEE DETL. B



1. S2A, S2B CONTACTS ARE SHORTING; S2C CONTACTS ARE NON-SHORTING;
 NOTES: UNLESS OTHERWISE SPECIFIED

QTY REQD	CODE IDENT	PART OR IDENTIFYING NO.	NOMENCLATURE OR DESCRIPTION

UNLESS OTHERWISE SPECIFIED DIMENSIONS ARE IN INCHES TOLERANCES ARE: FRACTIONS DECIMALS ANGLES ± .XXX ±		CONTRACT NO.	PACIFIC RECORDERS AND ENGINEERING CORP. LM 42-2/1 SCHEMATIC - AUDIO STEREO LOGIC MODULE
MATERIAL		APPROVALS DATE	
NEXT ASSY USED ON		CHECKED DATE	SIZE CODE IDENT NO. DRAWING NO. REV. D 125-SD-126 A
APPLICATION		DO NOT SCALE DRAWING	SCALE NONE SHEET 2 OF 2